

Terysafe

BY

T-safe 
Global Safety Innovation

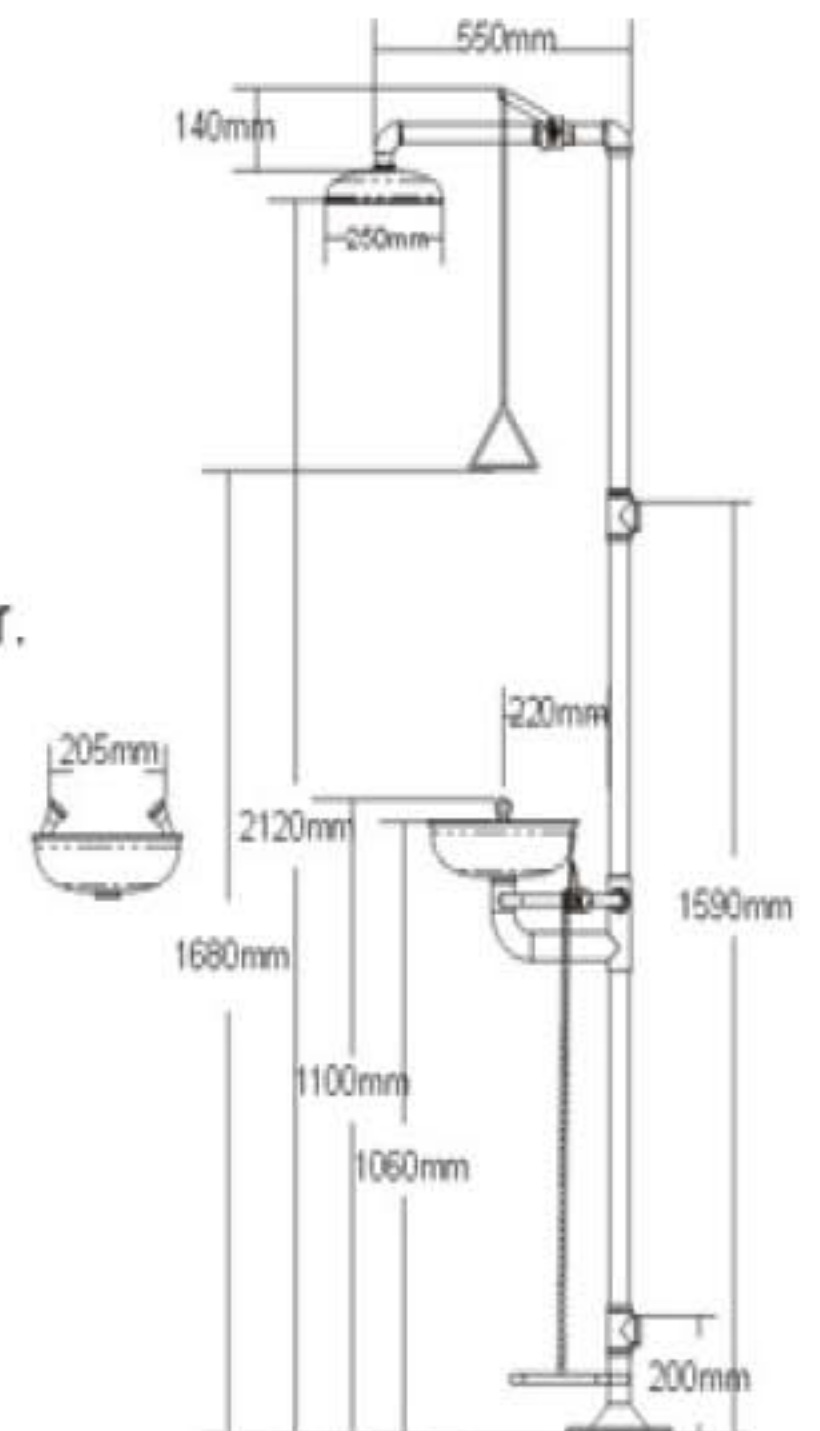


ชุดชำระล้างฉุกเฉิน สเตนเลส มือผลัก เท้าเหยียบ

SS-S150

Specification:

1. Head/Bowl: High quality stainless steel 304.
2. Valve: Shower valve is making of 1" stainless steel 304 ball valve.
Eye washer valve is making of 1/2" stainless steel 304 ball valve.
3. Water supply & outlet: 1 1/4" IPS
4. Water working pressure: 0.2MPA-0.8MPA
5. Flow control: 76L/Min
6. Original water: Clean water or leached water.
7. Activation: Shower is activated by pull rod.
Eye washer is activated by flag handle or foot treadle .
8. Package: Carton size: 95x45x28cm
1 set per export carton
G.W. : 16kg N.W. : 15kg



**Meets
ANSIZ358.1-2004**